

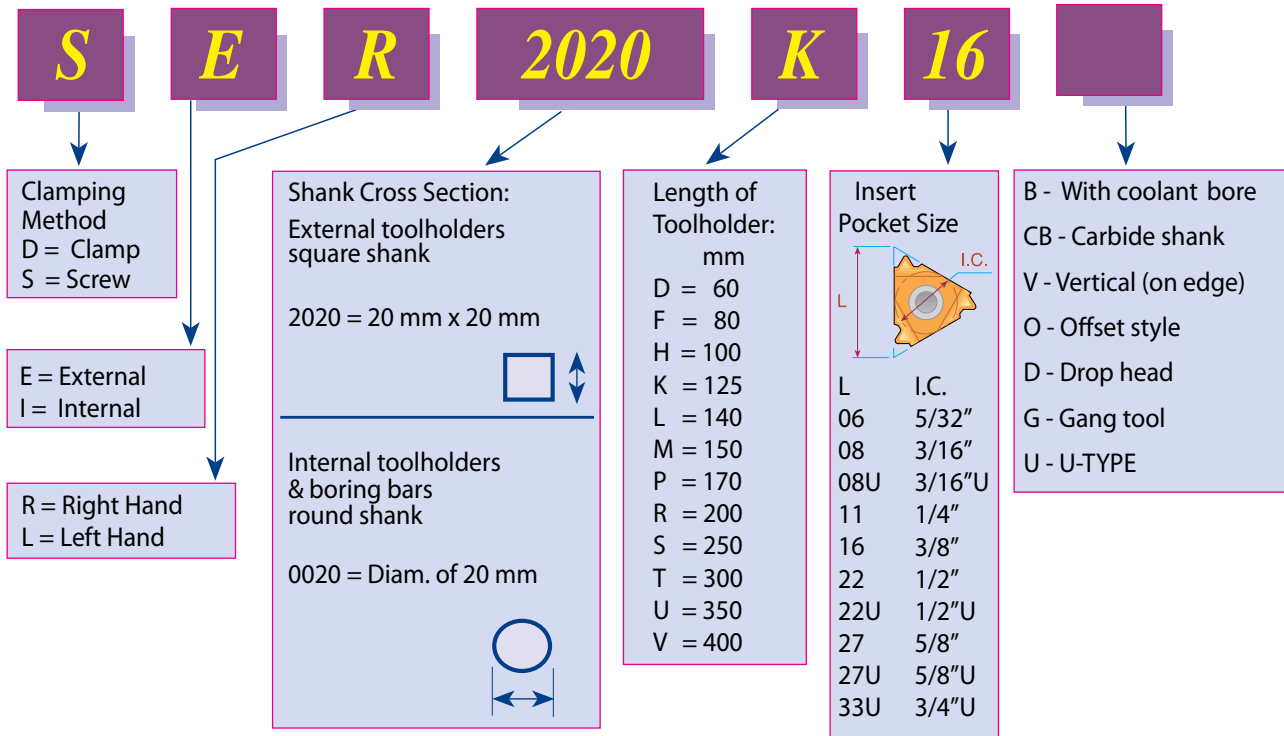
# Thread Turning Toolholders and Kits



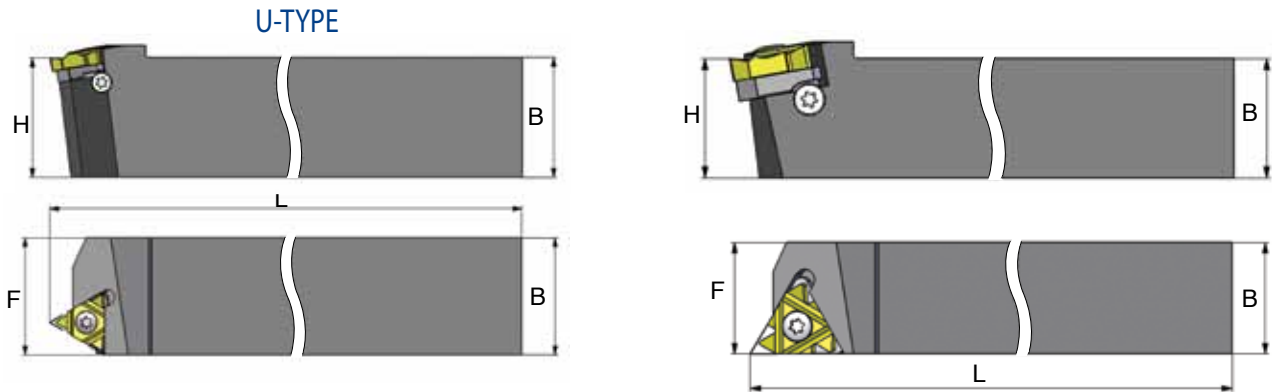
Contents:	Page:	Contents:	Page:
Product Identification	38	Gang Toolholders	44
External Toolholders	39	<b>Quick Change</b>	45-46
External Toolholders with Top Clamp	40	External Toolholders	45
Vertical Toolholders	40	Internal Toolholders	46
Slim Throat Toolholders	40	Special Thread Turning Application	47
Internal Toolholders	41	Anvils and Anvil Kits	48-49
Internal Toolholders with Coolant Bore	42	Standard Kits	50
Internal Toolholders with Top Clamp	42	Miniature & Ultra-miniature Kits	50
Toolholders with 3.5° Helix Angle	42	Inserts' Kits	51
Carbide Shank Boring Bars	43	Threading & Boring Combination Kit	52
Drophead Toolholders	43		
Vertical Toolholders	44		

## Product Identification

### Threading Toolholders Ordering Codes



## External Toolholders



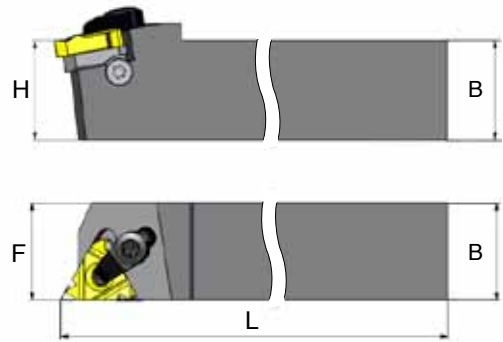
Ordering Code Right Hand	 L	B=H	L	F	Insert Screw	Anvil Screw	Torx Key	RH Anvil	LH Anvil
*SER 8 8 H11	11	8	100	11	S11	-	K11	-	-
*SER 10 10 H11	11	10	100	11	S11	-	K11	-	-
SER 12 12 F16	16	12	80	16	S16	A16	K16	AE16	AI16
SER 16 16 H16	16	16	100	16	S16	A16	K16	AE16	AI16
SER 20 20 K16	16	20	125	20	S16	A16	K16	AE16	AI16
SER 25 25 M16	16	25	150	25	S16	A16	K16	AE16	AI16
SER 32 32 P16	16	32	170	32	S16	A16	K16	AE16	AI16
SER 25 25 M22	22	25	150	25	S22	A22	K22	AE22	AI22
SER 32 32 P22	22	32	170	32	S22	A22	K22	AE22	AI22
SER 40 40 R22	22	40	200	40	S22	A22	K22	AE22	AI22
SER 25 25 M22U	22U	25	150	28	S22	A22	K22	AE22U	AI22U
SER 32 32 P22U	22U	32	170	32	S22	A22	K22	AE22U	AI22U
SER 40 40 R22U	22U	40	200	40	S22	A22	K22	AE22U	AI22U
SER 25 25 M27	27	25	150	32	S27	A27	K27	AE27	AI27
SER 32 32 P27	27	32	170	32	S27	A27	K27	AE27	AI27
SER 40 40 R27	27	40	200	40	S27	A27	K27	AE27	AI27
SER 25 25 M27U	27U	25	150	32	S27	A27	K27	AE27U	AI27U
SER 32 32 P27U	27U	32	170	32	S27	A27	K27	AE27U	AI27U
SER 40 40 R27U	27U	40	200	40	S27	A27	K27	AE27U	AI27U
SER 25 25 M33U	33U	25	150	32	S33	-	K33	-	-
SER 32 32 P33U	33U	32	170	32	S33	-	K33	-	-


\*Toolholders with no anvil

For **LEFT HAND** toolholders specify **SEL** instead of **SER**

Toolholders are made with a **1.5° Helix Angle**. For other Helix Angles please consult helix angle chart (page 65) in the technical section of this catalogue.

## External toolholders with top clamp



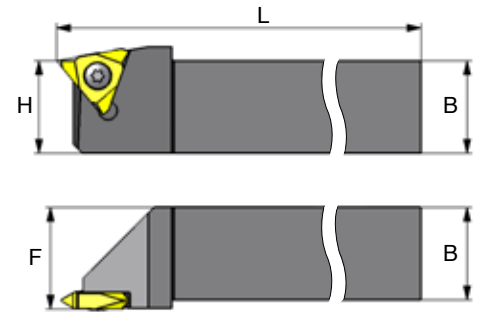
Ordering Code Right Hand	 L	B=H	L	F	Insert Screw	Clamp	Anvil Screw	Torx Key	RH Anvil	LH Anvil
<b>DER 2020 K16</b>	16	20	125	20	S16	C16	A16S	K16	AE16	AI16
<b>DER 2525 M16</b>	16	25	150	25	S16	C16	A16S	K16	AE16	AI16
<b>*DER 2525 M22</b>	22	25	150	25	S22	C22	A22	K22	AE22	AI22

For **LEFT HAND** toolholders specify **DEL** instead of **DER**

Toolholders are made with a **1.5° Helix Angle**. For other Helix Angles please consult helix angle chart in the technical section of this catalogue.

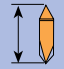
Two clamping methods can be used: screw or top clamp.

\*Use K21 torx key for C22 clamp

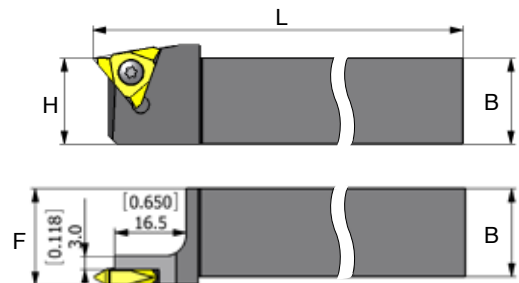


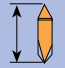
## Vertical toolholders



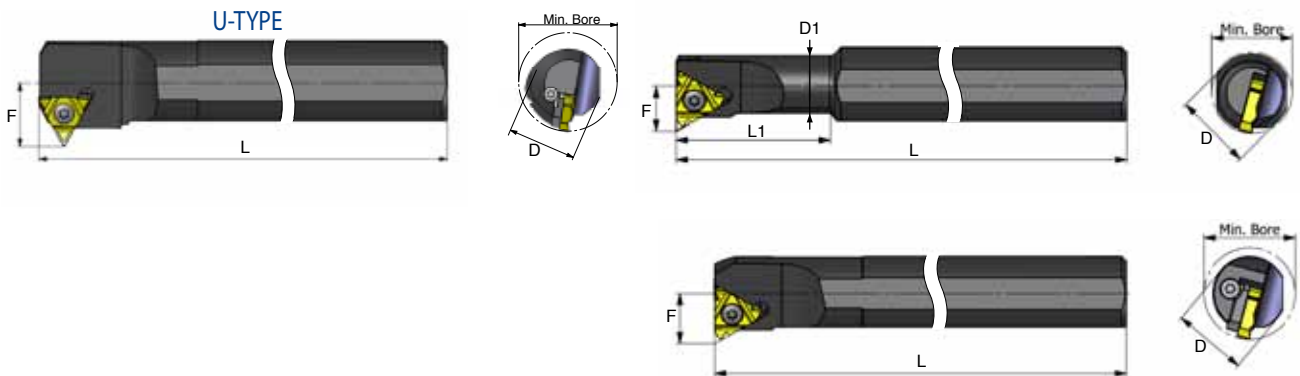
Ordering Code Right Hand		B=H	L	F	Insert Screw	Torx Key
<b>SER 2020 K16V</b>	16	20	125	22	S16S	K16
<b>SER 2525 M16V</b>	16	25	150	27	S16S	K16
<b>SER 2525 M22V</b>	22	25	150	27.5	S22S	K22
<b>SER 3232 P27V-T10</b>	27	32	170	36	S27	K27


## Slim Throat toolholders



Ordering Code Right Hand		B=H	L	F	Insert Screw	Torx Key
<b>SER 1616 H16VS</b>	16	16	100	18	S16S	K16
<b>SER 2020 K16VS</b>	16	20	125	22	S16S	K16
<b>SER 2525 M16VS</b>	16	25	150	27	S16S	K16

## Internal Toolholders



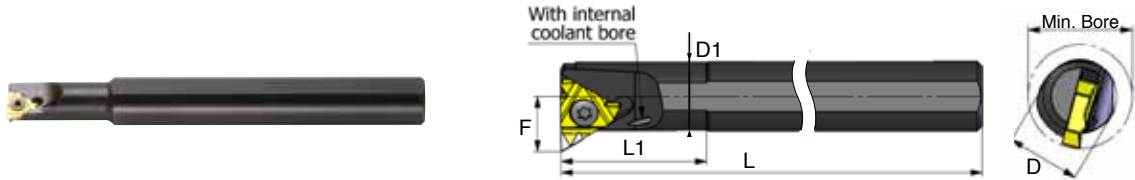
Ordering Code Right Hand	 L	D	D1	Min Bore Diam.	L	L1	F	Insert Screw	Anvil Screw	Torx Key	RH Anvil	LH Anvil
*SIR 0005 H06	6	12	5.1	6.0	100	12	4.3	S06	-	K06	-	-
*SIR 0007 K08	8	16	6.6	7.8	125	18	5.3	S08	-	K08	-	-
*SIR 0008 K08U	8U	16	7.3	9.0	125	21	6.6	S08	-	K08	-	-
*SIR 0010 H11	11	10	10	12	100	-	7.4	S11	-	K11	-	-
*SIR 0010 K11	11	16	10	12	125	25	7.4	S11	-	K11	-	-
*SIR 0013 L11	11	16	13	15	140	32	8.9	S11	-	K11	-	-
*SIR 0013 M16	16	16	13	16	150	32	10.2	S16S	-	K16	-	-
*SIR 0016 P16	16	20	16	19	170	40	11.7	S16S	-	K16	-	-
SIR 0020 P16	16	20	20	24	170	-	13.7	S16	A16	K16	AI16	AE16
SIR 0025 R16	16	25	25	29	200	-	16.2	S16	A16	K16	AI16	AE16
SIR 0032 S16	16	32	32	36	250	-	19.7	S16	A16	K16	AI16	AE16
SIR 0040 T16	16	40	40	44	300	-	23.7	S16	A16	K16	AI16	AE16
*SIR 0020 P22	22	20	20	24	170	-	15.6	S22S	-	K22	-	-
SIR 0025 R22	22	25	25	29	200	-	18.1	S22	A22	K22	AI22	AE22
SIR 0032 S22	22	32	32	38	250	-	21.6	S22	A22	K22	AI22	AE22
SIR 0040 T22	22	40	40	46	300	-	25.6	S22	A22	K22	AI22	AE22
SIR 0032 S22U	22U	32	32	38	250	-	24.4	S22	A22	K22	AI22U	AE22U
SIR 0040 T22U	22U	40	40	46	300	-	28.1	S22	A22	K22	AI22U	AE22U
SIR 0032 S27	27	32	32	40	250	-	22.6	S27	A27	K27	AI27	AE27
SIR 0040 T27	27	40	40	48	300	-	26.6	S27	A27	K27	AI27	AE27
SIR 0050 U27	27	50	50	58	350	-	31.6	S27	A27	K27	AI27	AE27
SIR 0060 V27	27	60	60	68	400	-	36.6	S27	A27	K27	AI27	AE27
SIR 0032 S27U	27U	32	32	40	250	-	25.8	S27	A27	K27	AI27U	AE27U
SIR 0040 T27U	27U	40	40	48	300	-	29.4	S27	A27	K27	AI27U	AE27U
SIR 0050 U27U	27U	50	50	58	350	-	34.4	S27	A27	K27	AI27U	AE27U
SIR 0060 V27U	27U	60	60	68	400	-	39.7	S27	A27	K27	AI27U	AE27U
*SIR 0050 U33U	33U	50	50	62	350	-	37.5	S33	-	K33	-	-


\*Toolholders with no anvil

For **LEFT HAND** toolholders specify **SIL** instead of **SIR**

Toolholders are made with a **1.5° Helix Angle**. For other Helix Angles please consult helix angle chart (page 65) in the technical section of this catalogue.

## Internal toolholders with coolant bore



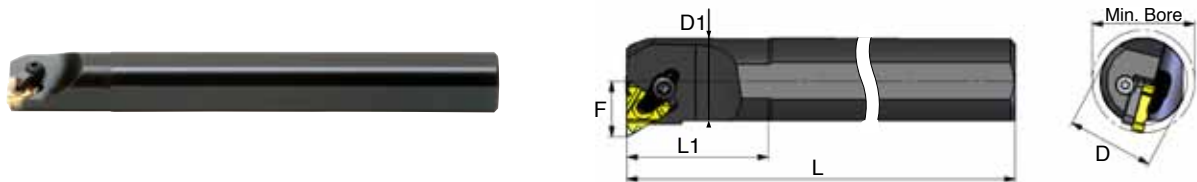
Ordering Code Right Hand	 L	D	D1	Min Bore Diam.	L	L1	F	Insert Screw	Anvil Screw	Torx Key	RH Anvil	LH Anvil
*SIR 0010 K11B	11	16	10	12	125	25	7.4	S11	-	K11	-	-
*SIR 0013 M16B	16	16	13	16	150	32	10.2	S16S	-	K16	-	-
*SIR 0016 P16B	16	20	16	19	170	40	11.7	S16S	-	K16	-	-
SIR 0020 P16B	16	20	20	24	170	-	13.7	S16	A16	K16	AI16	AE16
SIR 0025 R16B	16	25	25	29	200	-	16.2	S16	A16	K16	AI16	AE16
SIR 0025 R22B	22	25	25	29	200	-	18.1	S22	A22	K22	AI22	AE22


\*Toolholders without anvil

For **LEFT HAND** toolholders specify **SIL** instead of **SIR**

Toolholders are made with a **1.5° Helix Angle**. For other Helix Angles please consult helix angle chart (page 65) in the technical section of this catalogue.

## Internal toolholders with top clamp




Ordering Code Right Hand	 L	D	D1	Min Bore Diam.	L	L1	F	Insert Screw	Clamp	Anvil Screw	Torx Key	RH Anvil	LH Anvil
DIR 0020 P16	16	20	20	24	170	-	13.7	S16	C16	A16S	K16	AI16	AE16
DIR 0025 R16	16	25	25	29	200	-	16.2	S16	C16	A16S	K16	AI16	AE16
DIR 0032 S16	16	32	32	36	250	-	19.7	S16	C16	A16S	K16	AI16	AE16
* DIR 0025 R22	22	25	25	29	200	-	18.1	S22	C22	A22	K22	AI22	AE22

For **LEFT HAND** toolholders specify **DIL** instead of **DIR**

Two clamping methods can be used: screw or top clamp.

\*Use K21 torx key for C22 clamp

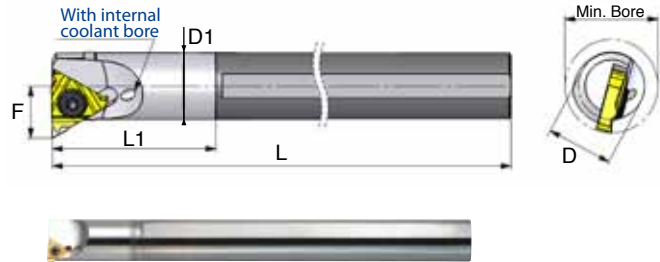
## Toolholders with 3.5° Helix Angle

Ordering Code Right Hand	 L	D	D1	Min Bore Diam. mm	L	L1	F	Insert Screw	Torx Key
SIR 0016 P16B-3.5	16	20	16	19	170	40	13.7	S16S	K16
SIR 0020 P22B-3.5	22	20	20	24	170	-	15.6	S22S	K22

For **LEFT HAND** toolholders specify **SIL** instead of **SIR**

## Carbide Shank Threading Bars With coolant bore

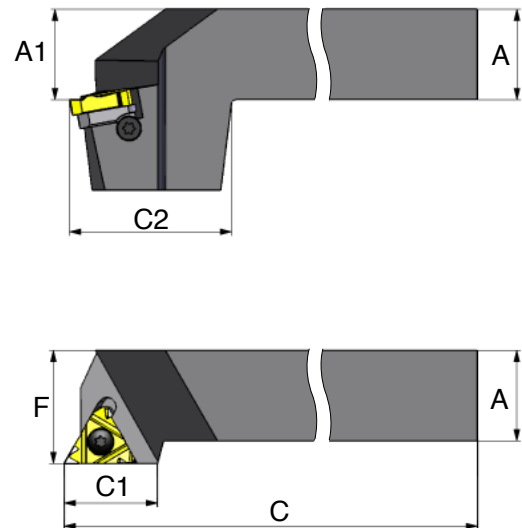
Carbide Shank Threading Bars are used when chatter and deflection are expected due to long overhang in deep small bores.



Ordering Code Right Hand	L	D	D1	Min Bore Diam.	L	L1	F	Insert Screw	Anvil Screw	Torx Key	RH Anvil	LH Anvil
SIR 0005 H06CB	6	6	5.1	6.0	100	26	4.3	S06	-	K06	-	-
SIR 0007 K08CB	8	8	6.6	7.8	125	31	5.3	S08	-	K08	-	-
SIR 0008K08UCB	8U	8	7.3	90	125	35	6.6	S08	-	K08	-	-
SIR 0010 M11CB	11	10	10	12	150	-	7.4	S11	-	K11	-	-
SIR 0012 P11CB	11	12	12	15	170	-	8.4	S11	-	K11	-	-
SIR 0016 R16CB	16	16	16	19	200	-	11.7	S16S	-	K16	-	-
*SIR 0020 S16CB	16	20	20	24	250	-	13.7	S16	A16	K16	AI16	AE16
*SIR 0025 S16CB	16	25	25	29	250	-	16.2	S16	A16	K16	AI16	AE16

\*Carbide shank Threading bars with anvil  
For **LEFT HAND** toolholders specify **SIL** instead of **SIR**

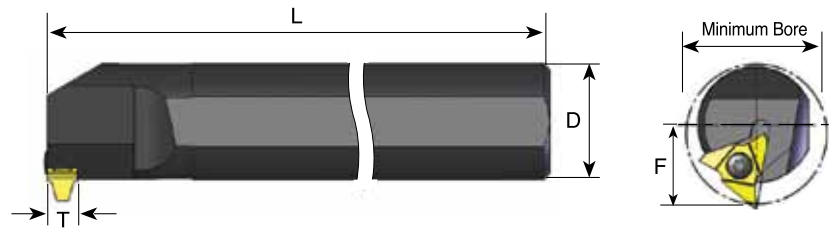
## Drophead Toolholders



Ordering Code Right Hand	L	A	A1	C	C1	F	C2	Insert Screw	Anvil Screw	Torx Key	RH Anvil	LH Anvil
SER 2020 K16D	16	20	20	125	21.0	25	38	S16	A16	K16	AE16	AI16
SER 2525 M16D	16	25	25	150	21.0	32	38	S16	A16	K16	AE16	AI16
SER 2525 M22D	22	25	25	150	21.0	32	38	S22	A22	K22	AE22	AI22



## Vertical Toolholders



Ordering Code Right Hand	L	D	* Min Bore Diam.	L	F	Insert Screw	Torx Key
<b>SIR 0040T27V-T10</b>	27	40	48	300	29	S27	K27
<b>SIR 0050U27V-T10</b>	27	50	58	350	34	S27	K27

For **LEFT HAND** toolholders specify **SIL** instead of **SIR**

\* To be compare with given minimum bore profile.

## Gang Toolholders

Gang Toolholders are External Holders, used in small automatic machines with a gang tool post.



Ordering Code Right Hand	L	B=H	L	F	Insert Screw	Anvil Screw	Torx Key	RH Anvil	LH Anvil
<b>*SER 8 8 H11G</b>	11	8	100	12.0	S11	-	K11	-	-
<b>*SER 10 10 H11G</b>	11	10	100	14.0	S11	-	K11	-	-
<b>SER 16 16 K16G</b>	16	16	125	21.7	S16	A16	K16	AE16	AI16
<b>SER 20 20 K16G</b>	16	20	125	26.2	S16	A16	K16	AE16	AI16

\*Toolholders with no anvil

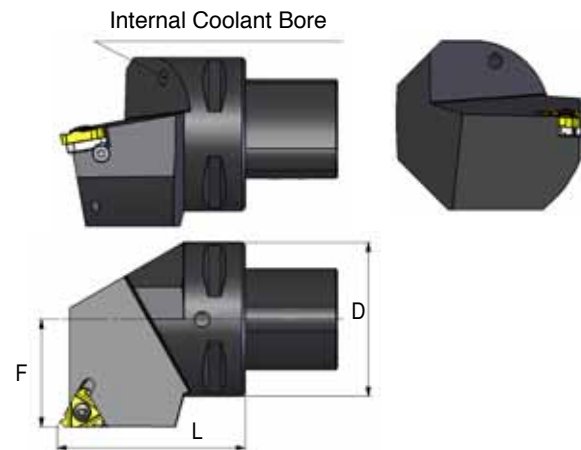
For **LEFT HAND** toolholders specify **SEL** instead of **SER**




## Quick Change Polygon Threading Toolholders

- Polygon shank
- ISO standard (26623) compliant for toolholding systems
- Polygon taper ensures automatic radial centering and even pressure around the coupling
- Enable quick tool changes ISO standard coupling system with a 1.4 degree tapered polygon shank design
- Interchangeable with leading manufacturers

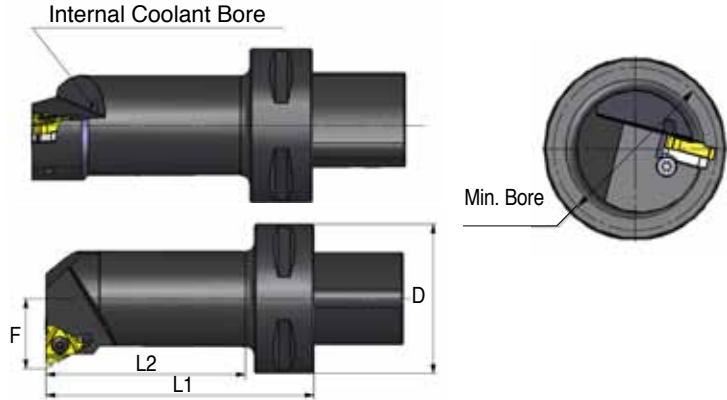
## External Toolholders




Equivalent to...	Ordering Code		D	F	L	Insert Screw	Anvil Screw	Torx key	RH Anvil	LH Anvil
C4	<b>P40-SER 27050-16</b>	16	40	27	50	S16	A16	K16	AE16	AI16
C5	<b>P50-SER 35060-16</b>	16	50	35	60	S16	A16	K16	AE16	AI16
C6	<b>P63-SER 45065-16</b>	16	63	45	65	S16	A16	K16	AE16	AI16
C4	<b>P40-SER 27050-22</b>	22	40	27	50	S22	A22	K22	AE22	AI22
C5	<b>P50-SER 35060-22</b>	22	50	35	60	S22	A22	K22	AE22	AI22
C6	<b>P63-SER 45065-22</b>	22	63	45	65	S22	A22	K22	AE22	AI22
C8	<b>P80-SER 55080-22</b>	22	80	55	80	S22	A22	K22	AE22	AI22

For **LEFT HAND** toolholders specify **SEL** instead of **SER**

## Internal Toolholders

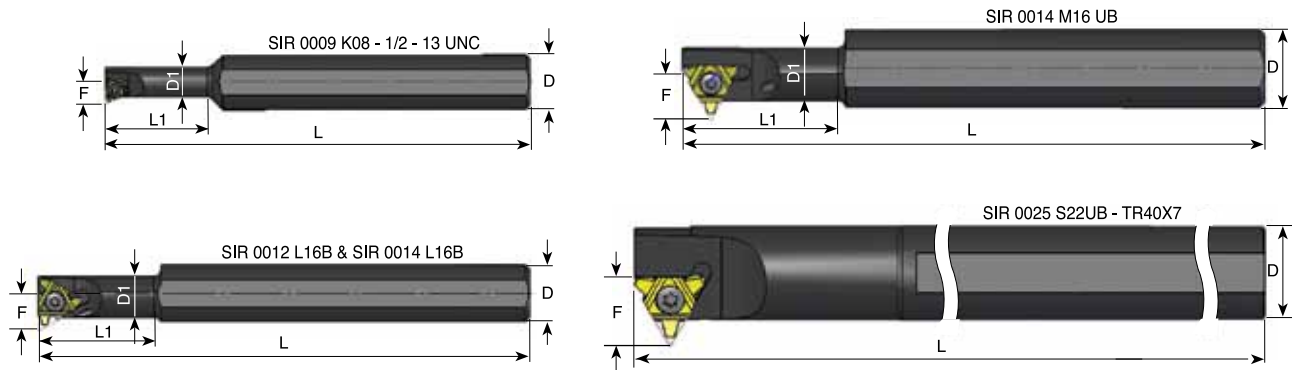


Equivalent to...	Ordering Code		D	F	Min. Bore Dia.	L1	L2	Insert Screw	Anvil Screw	Torx key	RH Anvil	LH Anvil
C4	* P40-SIR 12060-16	16	40	11.7	20	60	37	S16	-	K16	-	-
	P40-SIR 14060-16	16	40	13.5	25	60	38	S16	A16	K16	AI16	AE16
	P40-SIR 17070-16	16	40	16.0	29	70	48	S16	A16	K16	AI16	AE16
	P40-SIR 22090-16	16	40	19.5	36	90	69	S16	A16	K16	AI16	AE16
	P40-SIR 27080-16	16	40	23.5	44	80	60	S16	A16	K16	AI16	AE16
C5	* P50-SIR 12060-16	16	50	11.7	20	60	35	S16	-	K16	-	-
	P50-SIR 14060-16	16	50	13.5	25	60	36	S16	A16	K16	AI16	AE16
	P50-SIR 17070-16	16	50	16.0	29	70	47	S16	A16	K16	AI16	AE16
	P50-SIR 22090-16	16	50	19.5	36	90	68	S16	A16	K16	AI16	AE16
	P50-SIR 27105-16	16	50	23.5	44	105	84	S16	A16	K16	AI16	AE16
C6	P63-SIR 14070-16	16	63	13.5	25	70	42	S16	A16	K16	AI16	AE16
	P63-SIR 17075-16	16	63	16.0	29	75	48	S16	A16	K16	AI16	AE16
	P63-SIR 22090-16	16	63	19.5	36	90	64	S16	A16	K16	AI16	AE16
	P63-SIR 27105-16	16	63	23.5	44	105	80	S16	A16	K16	AI16	AE16
C4	* P40-SIR 15065-22	22	40	15.4	25	65	42	S22	-	K22	-	-
	P40-SIR 19070-22	22	40	17.9	29	70	48	S22	A22	K22	AI22	AE22
	P40-SIR 22090-22	22	40	21.4	38	90	69	S22	A22	K22	AI22	AE22
	P40-SIR 27080-22	22	40	25.4	46	80	60	S22	A22	K22	AI22	AE22
C5	* P50-SIR 15065-22	22	50	15.4	25	65	41	S22	-	K22	-	-
	P50-SIR 19070-22	22	50	17.9	29	70	47	S22	A22	K22	AI22	AE22
	P50-SIR 22090-22	22	50	21.4	38	90	68	S22	A22	K22	AI22	AE22
	P50-SIR 27105-22	22	50	25.4	46	105	84	S22	A22	K22	AI22	AE22
C6	P63-SIR 19075-22	22	63	17.9	29	75	48	S22	A22	K22	AI22	AE22
	P63-SIR 22090-22	22	63	21.4	38	90	64	S22	A22	K22	AI22	AE22
	P63-SIR 27105-22	22	63	25.4	46	105	80	S22	A22	K22	AI22	AE22

For **LEFT HAND** toolholders specify **SIL** instead of **SIR**

\* Holders without anvil

## Special Thread Turning Applications



Ordering Code Right Hand		D	D1	L	L1	F	Thread	Insert Screw	Torx Key
<b>*SIR 0009 K08</b>	8	16	8.7	125	30	6.5	<b>1/2 - 13UNC</b>	S08	K08
<b>SIR 0012 L16B</b>	16	20	11.5	140	33	10.5	<b>TR18x4</b>	S16S	K16
<b>SIR 0014 L16B</b>	16	20	12.5	140	36	21.1	<b>TR20x4</b>	S16S	K16
<b>SIR 0014 M16UB</b>	16	20	13.5	150	40	13.2	<b>TR22x5</b>	S16S	K16
<b>SIR 0025 S22UB</b>	22	25	-	250	-	19.5	<b>TR40x7</b>	S22S	K22

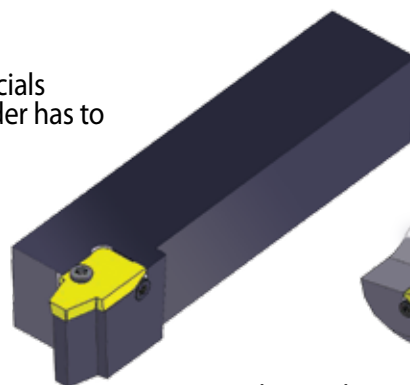
For LH holders call C.P.T.

\* Only right hand available

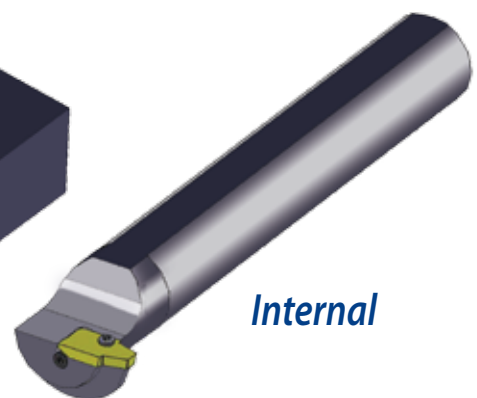
## Large Profile Range

- Pitch Range: 14mm up to 24 mm.
- Tools and inserts are offered as specials (non catalogue), because each holder has to be modified to fit the profile shape.
- Rigid Clamping

*External*



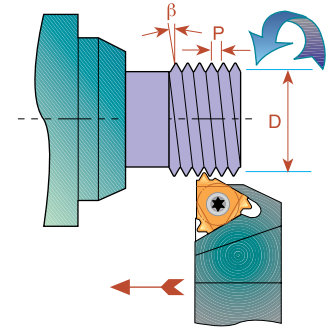
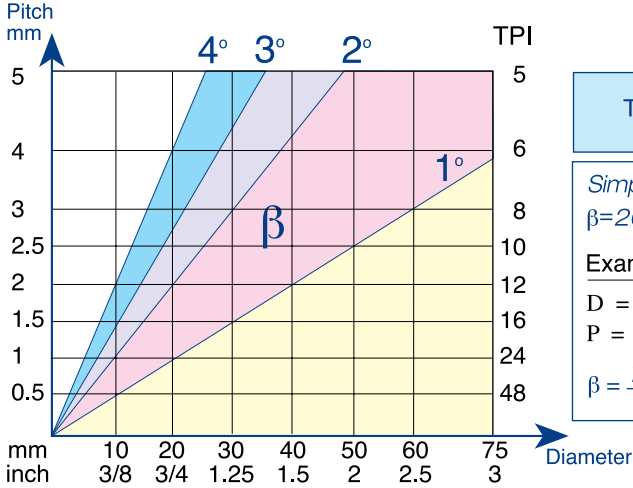
*Internal*



- Tailor made profiles according to customer's request

Available Profile	<b>Round (DIN 20400)</b>	<b>Trapez (DIN 103)</b>	<b>Acme, Stub Acme</b>	<b>American Buttress</b>
Pitch	16 mm	14-24 mm	1.0 - 1.5 TPI	1.5 - 2.0 TPI

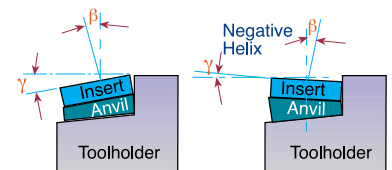
## Thread Helix Angle



## Standard and Slanted Anvils

C.P.T. Toolholder Pockets have a built in 1.5° helix angle. This angle may be adjusted to better match the thread helix angle by simply changing the anvil.

Negative helix is usually used when threading RH thread with LH Holder or LH thread with RH Holder.



L	IC	Pocket Angle $\gamma$	4.5°	3.5°	2.5°	1.5° Standard	0.5°	-0.5°	-1.5°
16	3/8	EX-RH OR IN-LH	AE16+4.5	AE16+3.5	AE16+2.5	<b>AE16</b>	AE16+0.5	AE16-0.5	AE16-1.5
16	3/8	EX-LH OR IN-RH	AI 16+4.5	AI 16+3.5	AI 16+2.5	<b>AI 16</b>	AI 16+0.5	AI 16-0.5	AI 16-1.5
22	1/2	EX-RH OR IN-LH	AE22+4.5	AE22+3.5	AE22+2.5	<b>AE22</b>	AE22+0.5	AE22-0.5	AE22-1.5
22	1/2	EX-LH OR IN-RH	AI 22+4.5	AI 22+3.5	AI 22+2.5	<b>AI 22</b>	AI 22+0.5	AI 22-0.5	AI 22-1.5
22U	1/2U	EX-RH OR IN-LH	AE22U+4.5	AE22U+3.5	AE22U+2.5	<b>AE22U</b>	AE22U+0.5	AE22U-0.5	AE22U-1.5
22U	1/2U	EX-LH OR IN-RH	AI 22U+4.5	AI 22U+3.5	AI 22U+2.5	<b>AI 22U</b>	AI 22U+0.5	AI 22U-0.5	AI 22U-1.5
27	5/8	EX-RH OR IN-LH	AE27+4.5	AE27+3.5	AE27+2.5	<b>AE27</b>	AE27+0.5	AE27-0.5	AE27-1.5
27	5/8	EX-LH OR IN-RH	AI 27+4.5	AI 27+3.5	AI 27+2.5	<b>AI 27</b>	AI 27+0.5	AI 27-0.5	AI 27-1.5
27U	5/8U	EX-RH OR IN-LH	AE27U+4.5	AE27U+3.5	AE27U+2.5	<b>AE27U</b>	AE27U+0.5	AE27U-0.5	AE27U-1.5
27U	5/8U	EX-LH OR IN-RH	AI 27U+4.5	AI 27U+3.5	AI 27U+2.5	<b>AI 27U</b>	AI 27U+0.5	AI 27U-0.5	AI 27U-1.5

## Anvil Kits

5 AE and 5 AI anvils with various helix angles



AE (FOR EX.RH. & IN.LH.)

AI (FOR IN.RH. & EX.LH.)

Ordering Code	Contents				
<b>KA16</b>	AE16+4.5	AE16+3.5	AE16+2.5	AE16+0.5	AE16-1.5
	AI 16+4.5	AI 16+3.5	AI 16+2.5	AI 16+0.5	AI 16-1.5
<b>KA22</b>	AE22+4.5	AE22+3.5	AE22+2.5	AE22+0.5	AE22-1.5
	AI 22+4.5	AI 22+3.5	AI 22+2.5	AI 22+0.5	AI 22-1.5
<b>KA22U</b>	AE22U+4.5	AE22U+3.5	AE22U+2.5	AE22U+0.5	AE22U-1.5
	AI 22U+4.5	AI 22U+3.5	AI 22U+2.5	AI 22U+0.5	AI 22U-1.5
<b>KA27</b>	AE27+4.5		AE27+2.5		AE27-1.5
	AI 27+4.5		AI 27+2.5		AI 27-1.5
<b>KA27U</b>	AE27U+4.5		AE27U+2.5		AE27U-1.5
	AI 27U+4.5		AI 27U+2.5		AI 27U-1.5

## Standard Kits

Threading Kits are a versatile solution for users that cut a variety of thread types in limited quantity and do not want to sacrifice thread quality.

### External ISO Kit Ordering Code:KEG

#### INSERTS

16 ER A60 P25C  
 16 ER G60 P25C  
 16 ER 0.75 ISO P25C  
 16 ER 1.0 ISO P25C  
 16 ER 1.25 ISO P25C  
 16 ER 1.5 ISO P25C  
 16 ER 1.75 ISO P25C  
 16 ER 2.0 ISO P25C  
 16 ER 2.5 ISO P25C  
 16 ER 3.0 ISO P25C

#### TOOLHOLDERS

SER 2020 K16  
 KEY  
 K16  
 SCREW  
 S16

### Internal ISO Kit Ordering Code:KIG

#### INSERTS

16 IR A60 P25C  
 16 IR G60 P25C  
 16 IR 0.75 ISO P25C  
 16 IR 1.0 ISO P25C  
 16 IR 1.25 ISO P25C  
 16 IR 1.5 ISO P25C  
 16 IR 1.75 ISO P25C  
 16 IR 2.0 ISO P25C  
 16 IR 2.5 ISO P25C  
 16 IR 3.0 ISO P25C

#### TOOLHOLDERS

SIR 0020 K16  
 KEY  
 K16  
 SCREW  
 S16



If a larger toolholders with a 25 mm shank is required, add to the kit 25. For example: KIG - 25

## Miniature & Ultra-Miniature Kits



Ordering Code	Type	No. of Inserts	Inserts	Contents Boring Bar	Key
<b>KU60M - BXC</b>	ULTRA	10	06 IR A60 BXC	SIR 0005 H06	K6
<b>KM60M - BXC</b>	MINI	10	08 IR A60 BXC	SIR 0007 K08	K8

## Inserts' Kits

### Type B Kits

Type B threading inserts.  
A combination of ground profile and sintered chip-breaker threading inserts.  
BMA Grade: Sub-Micron carbide grade with TiAlN multi-Layer Coating.



#### EXTERNAL ISO KIT KEMB - BMA

- 16 ER B 1.0 ISO BMA-2 Pcs
- 16 ER B 1.25 ISO BMA-2 Pcs
- 16 ER B 1.5 ISO BMA-2 Pcs
- 16 ER B 1.75 ISO BMA-2 Pcs
- 16 ER B 2.0 ISO BMA-2 Pcs



EX-RH

#### INTERNAL ISO KIT KIMB - BMA

- 16 IR B 1.0 ISO BMA-2 Pcs
- 16 IR B 1.25 ISO BMA-2 Pcs
- 16 IR B 1.5 ISO BMA-2 Pcs
- 16 IR B 1.75 ISO BMA-2 Pcs
- 16 IR B 2.0 ISO BMA-2 Pcs



IN-RH

### Standard Inserts' Kits

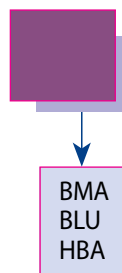
#### EXTERNAL ISO KIT

- 16 ER 1.0 ISO-2 Pcs
- 16 ER 1.25 ISO-2 Pcs
- 16 ER 1.5 ISO-2 Pcs
- 16 ER 1.75 ISO-2 Pcs
- 16 ER 2.0 ISO-2 Pcs

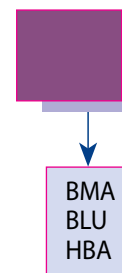
#### INTERNAL ISO KIT

- 16 IR 1.0 ISO-2 Pcs
- 16 IR 1.25 ISO-2 Pcs
- 16 IR 1.5 ISO-2 Pcs
- 16 IR 1.75 ISO-2 Pcs
- 16 IR 2.0 ISO-2 Pcs

Ordering Code: KEM



Ordering Code: KIM





## Threading & Boring Combination Kit

A practical and convenient combination kit for **Ultra Miniature** Threading and Boring. It enables Boring and Threading of mini bores as small as **6 mm diameter (1/4")** with just one deep reaching CARBIDE shank ultra mini Boring Bar.



Ordering Code	Contents			
	Threading Insert	Turning Inserts	Boring Bar	Key
<b>KC6TM</b>	06 IR A60 BXC 10Pcs	06 IR TURN BMA 10Pcs	SIR 0005 H06CB	K6

**BMA** - Coated carbide grade for medium to high cutting speeds

**BXC** - Coated carbide grade for low cutting speed - 40 to 90 m/min

**CB** - Carbide shank boring bar with coolant bore